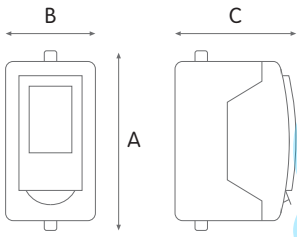




KIT AUTO

WORKING CONDITIONS

Max working pressure _____ 10 bar (145 psi)
 Min differential pressure _____ 0,15 bar (2 psi)
 Max working temperature _____ 45°C (113°F)
 Min working temperature _____ 4°C (39°F)
 Applicable fluid _____ water
 pH range _____ 6,5 - 8,5



KIT AUTO

FOR SELF-CLEANING FILTERS

CODE	MODEL	DIGITAL CONTROL PANEL DIMENSIONS mm		
		A	B	C
RE7120024	KIT AUTO	195	80	100

TECHNICAL FEATURES

ELECTROVALVE

CONSTRUCTIONS

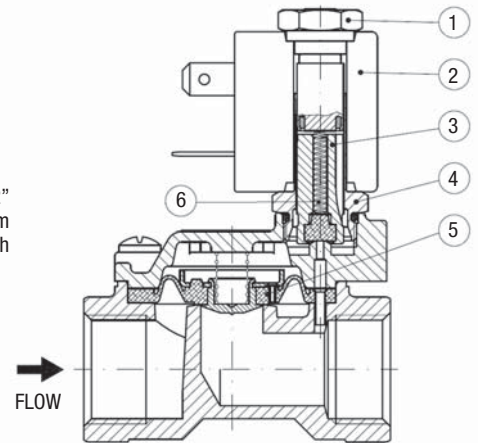
Body and cover: brass CW 617 N
 Fitting: stainless steel AISI 304
 Plunger and core: stainless steel AISI 304
 Springs: stainless steel AISI 302
 Diaphragm: EPDM

FEATURES

Junction _____ 1/2"
 Conduit _____ 12 mm
 Max discharge flow rate _____ 2,5 m³/h

SPARE PARTS LIST

1. Coil fixing nut
2. Coil
3. Plunger
4. Armature tube with core
5. Diaphragm
6. Spring



DIGITAL CONTROL PANEL

AUTOMATIC CONTROL

Minimum programmable period for back-wash _____ 2 h
 Maximum programmable period for back-wash _____ 99 h
 Minimum flushing time _____ 5 s
 Maximum flushing time _____ 99 s

Power Supply _____ AC 50/60 Hz 230 V
 Plug _____ CEE 7/4 (Shuko)
 Power supply Cable Length _____ 1,8 m
 Coil supply Cable Length _____ 1 m

MANUAL CONTROL

Manual actuation of the electrovalve _____ every 60 s

BOX

Protection degree: IP65
 Dimensions: 150x100x80 mm

COIL

Power Supply _____ AC 50/60 Hz 24V
 Insulation class _____ F
 Protection class with connector fixed _____ IP65